

# SM48 Cardioid Dynamic Microphone

## Overview

The SM48 is a rugged cardioid dynamic microphone with great sound and durable construction for reliable use in spoken word and karaoke vocal performance applications. Available with or without an on/off switch, and comes with a swivel adapter and carrying pouch for many of the benefits of the SM58® at an affordable price.

## Features

- Cardioid pickup pattern rejects off-axis sound and provides superior gain before feedback
- Frequency response tailored for vocals, with brightened midrange and bass rolloff to control proximity effect
- Shock-mounted cartridge for exceptional ruggedness and reduced handling noise
- Built-in pop filter that reduces explosive breath sounds and wind noise
- Supplied stand adapter and carrying/storage bag
- Lockable on/off switch (SM48S only)
- Legendary Shure quality and ruggedness



SM48

## Available Models

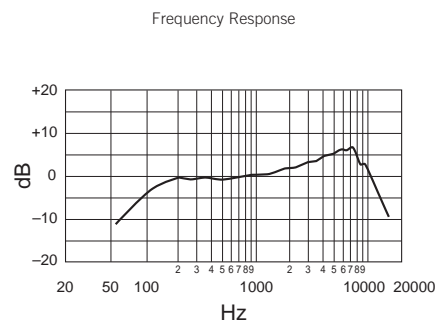
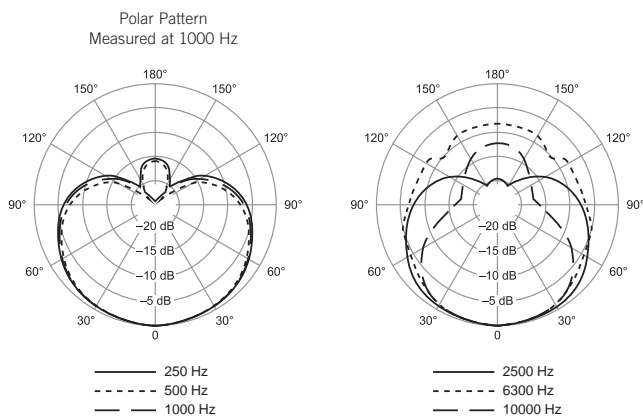
<b>SM48</b>	Includes stand adapter and zippered pouch
<b>SM48S</b>	With lockable on/off switch. Includes swivel adapter and a zippered pouch

## Specifications

<b>Type</b>	Dynamic
<b>Frequency Response</b>	55 to 14,000 Hz
<b>Polar Pattern</b>	Cardioid
<b>Impedance</b>	Microphone rating impedance is 150 Ω (270 Ω actual) for connection to microphone inputs rated at 19 to 300 Ω
<b>Output Level (at 1,000 Hz)</b>	Open circuit voltage: *−57.5 dBV/Pa (1.3 mV) *1 Pa = 94 dB SPL
<b>Polarity</b>	Positive pressure on diaphragm produces positive voltage on pin 2 with respect to pin 3
<b>Connector</b>	Three-pin professional audio (XLR), male
<b>Weight</b>	370 g
<b>Dimensions</b>	166 mm L x 54.2 mm W

## Optional Accessories and Replacement Parts

<b>A25D</b>	Microphone clip	<b>A55M, A55HM</b>	Isolation mount	<b>C25F</b>	7.6 m cable
<b>A58WS</b>	Windscreens	<b>A26M</b>	Dual mount	<b>RK81S</b>	On/off switch
<b>R136</b>	Cartridge	<b>RK248G</b>	Screen and grille assembly	<b>RK40P</b>	Plug assembly
<b>S37A, S39A</b>	Desk Stand				



**SHURE**<sup>®</sup>  
LEGENDARY  
PERFORMANCE™